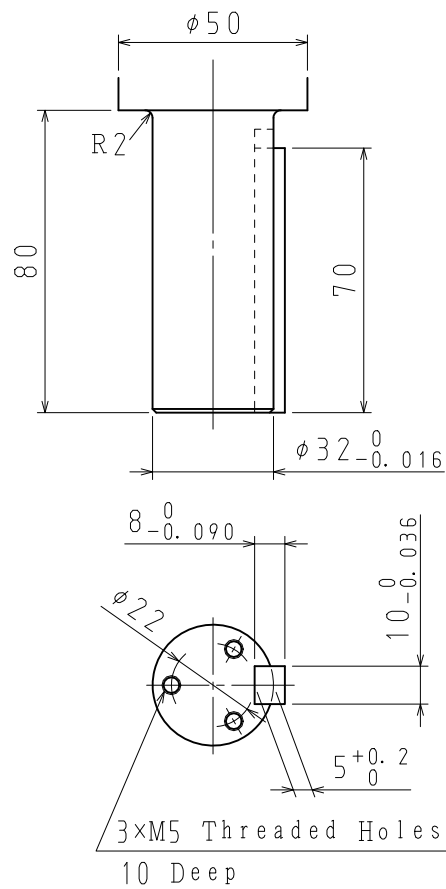
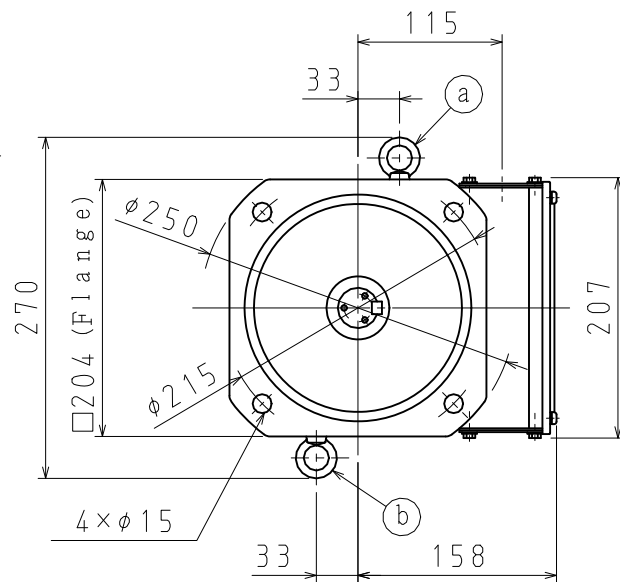
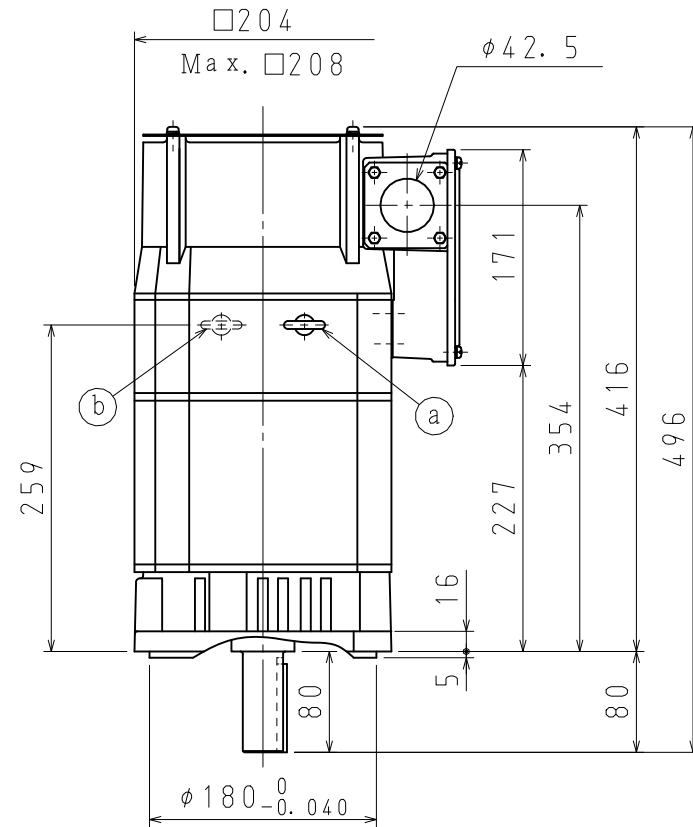


DWG. NO. 900-074-884

All dimensions are in mm.



Detail of Shaft Extension



NOTES.

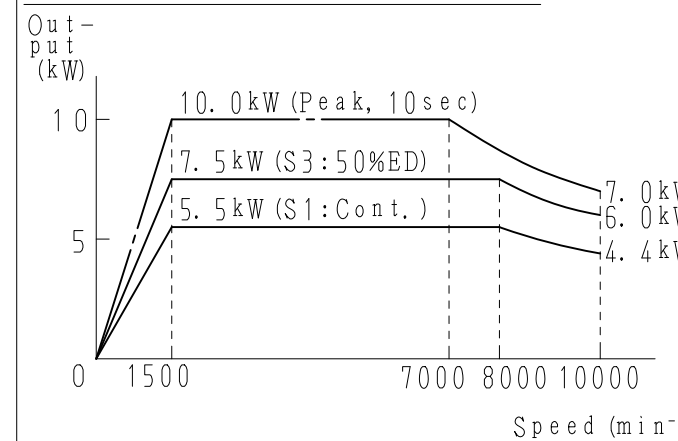
- Arrow (\triangle) indicates the direction of cooling air.
- Without OIL SEAL.

Customer	
Estimate No.	
Order No.	
Item No.	
Application	

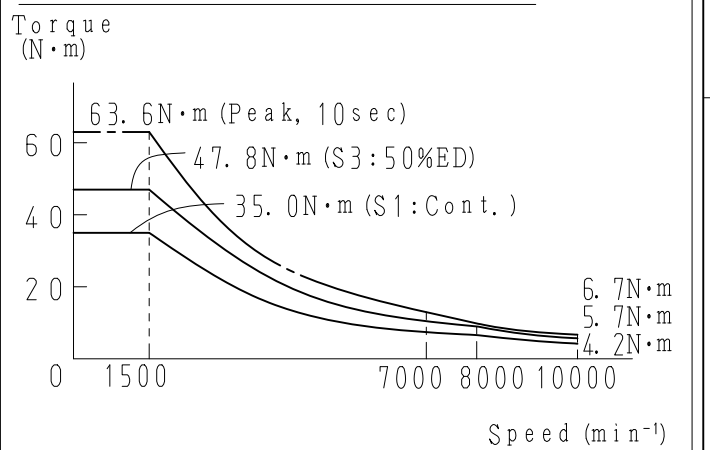
Specification of Motor

Type	UAKAJ-08CZ100E	Cooling Method	Externally Fan-cooled Type	
Voltage	400 V	Fan	Voltage 400/400 V	
Output	S3:50%ED	Frequency	50/60 Hz	
	S1:Cont.	Current	0.15/0.15 A	
Poles	4 P	Thermal Class	F	
Speed	Base	1500 min ⁻¹	Ambient Temperature	0~40℃
	Maximum	10000 min ⁻¹	Vibration	V5 or Below
	Minimum	40 min ⁻¹	Noise	75dB (A) or Below
Inertia ($\frac{GD^2}{4}$)	0.021 kg·m ²	Approx. Mass	52kg	
Over Load Capacity	Refer to the graph at the bottom.	Painting	Munsell Notation N1.5	
Allowable Radial Load	1470N at the shaft end	Inverter Type	Σ-V-SD, CACR-JU018D2A	
Protective Enclosure	IP44	Inverter Output	7.5/5.5 kW	
Vibration Resistance	24.5m/sec ² or Below	Series	Standard	
Characteristics Tolerances (T. I. R)	Maximum Face Runout	0.04	Encoder Type	UTMSI-10AAGAZA
	Maximum Permissible Eccentricity of Mounting Rabbet	0.04	Dimensions of terminal box	900-111-516
	Shaft Runout at the End	0.02		

Output-Speed Characteristics



Torque-Speed Characteristics



Remarks

•Peak power is the reference characteristic to calculate acceleration time, not guaranteed characteristic.

<p>株式会社 安川電機</p>	<p>SCALE 1:6</p>	<p>DRAW. T. Inoue</p> <p>CHECK H. Shimono</p> <p>APPR. A. Sato</p>	<p>TITLE Dimensions of AC Spindle motor</p>	<p>DATE Dec. 24, '09</p>	<p>REV. 2</p>
		<p>DWG. NO. 900-074-884</p>			<p>SIZE A3</p>